

RoHS Compliant

1212 SERIES SATA 7+15P FEMALE SMT TYPE

REV	DATE	DESCRIPTION	NAME
01	07.12.10	NEW RELEASE	Amcen

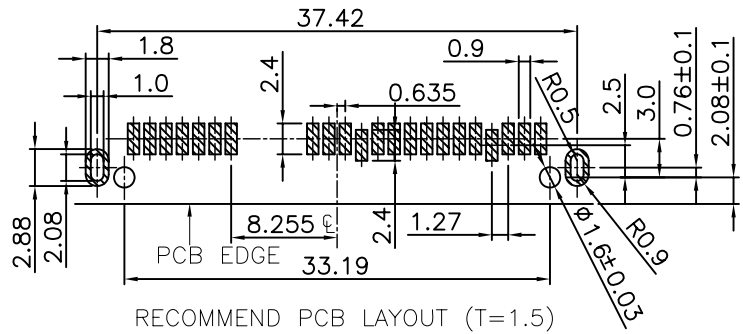
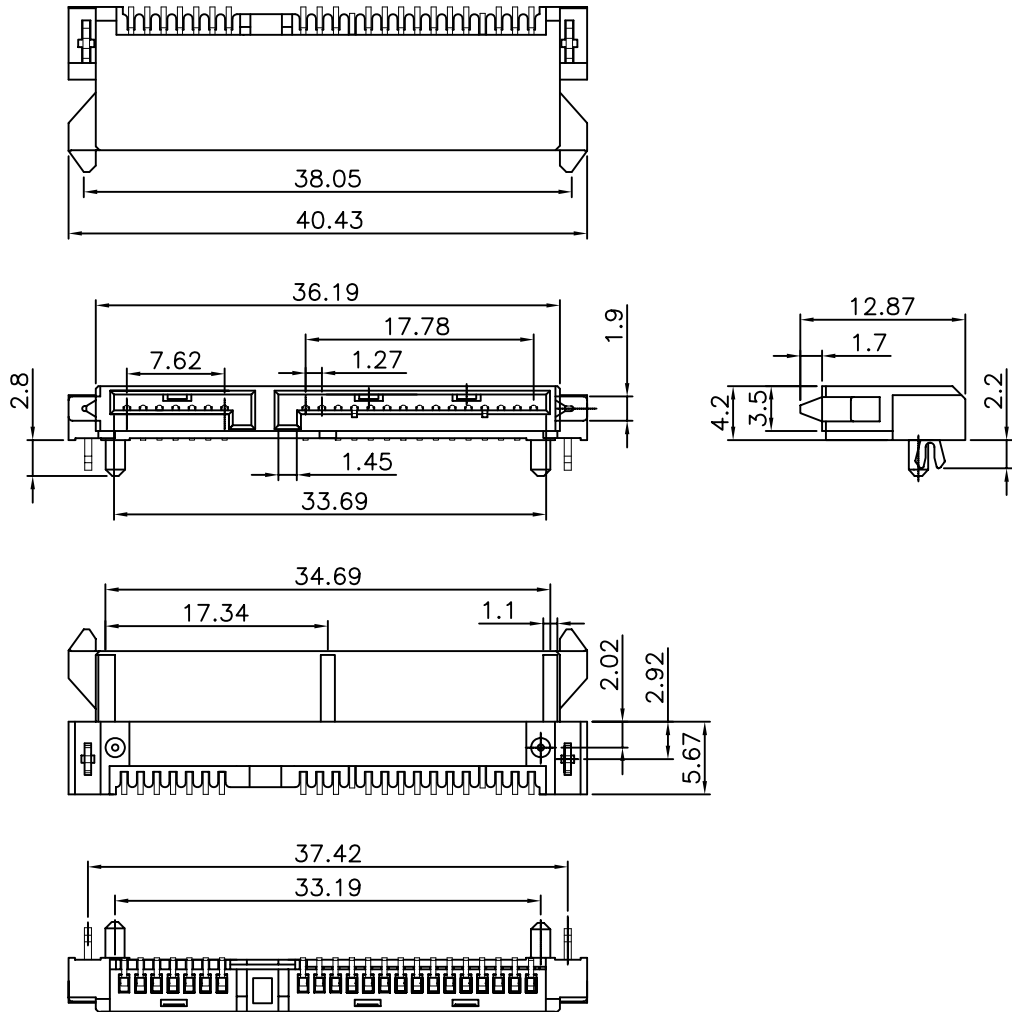
MATERIAL

HOUSING : SEE ORDER INFORMATION (UL94V-0)
HOUSING COLOR : SEE ORDER INFORMATION
TERMINAL : PHOSPHOR BRONZE T=0.30 mm
TERMINAL PLATING: SELECTIVE Au IN CONTACT AREA, 100u"
min. Sn IN SOLDER TAIL AREA. BOTH
OVER 50u" min. Ni UNDER PLATED OVERALL
PEG: BRASS T=0.30mm
PEG PLATING: 100u" Sn PLATED

ORDER INFORMATION

G1212-39 ** ** *-00

- 00: LCP, BLACK
- 01: 1u" Au
- 02: 15u" Au
- 03: 30u" Au
- 00: TUBE PACKING



NOTE: P.C.B LAYOUT TOLERANCE: ±0.05mm

GENERAL TOLERANCE ±0.25mm GENERAL ANGLE TOLERANCE ±3°	WIESON TECHNOLOGIES CO., LTD	PART NO.: G1212-39*****-00			
		DRAWN BY	Amcen (WSC)	DRAWING NO.	G1212-39*****-00
		CHECKED BY	KEVIN	DRAWING SIZE	A4
		APPROVED BY	JERRY	UNIT	mm
	SORTING NO.	CA0089 (WSC)	PAGE	1 OF 1	

REFERENCE