

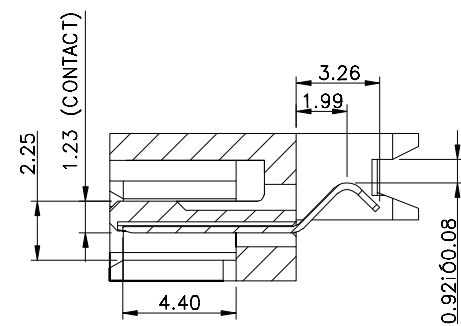
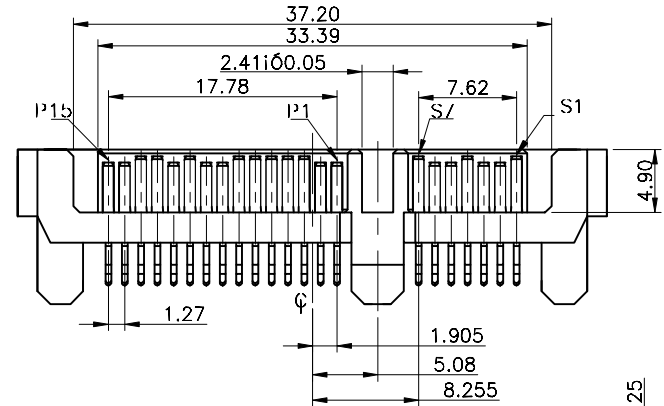
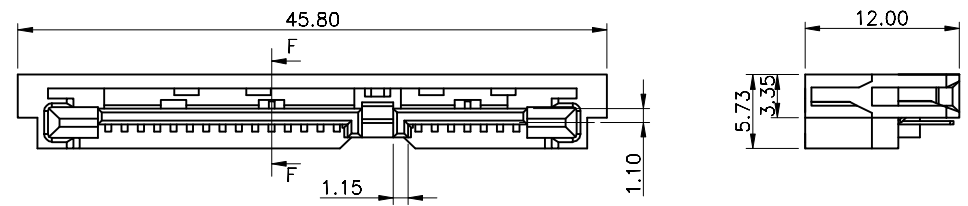
**HF Compliant**

REV	DATE	DESCRIPTION	ECN NO.	NAME
1.0	10.10.20	PROPOSAL		DAVID

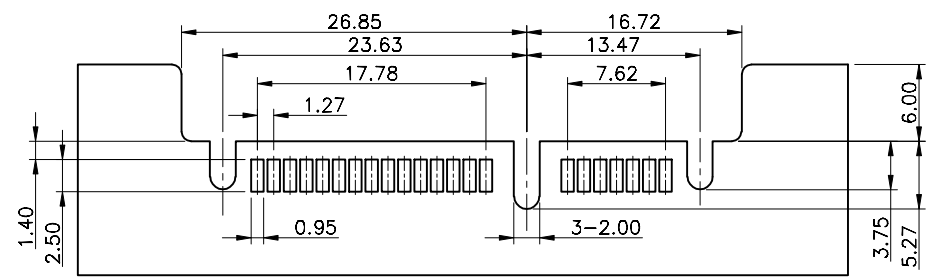
**G1212 SERIES SERIAL ATA 7+15P RECEPTACLE MALE SMT CLIP TYPE**

- 1.MATERIAL  
 HOUSING:HIGH TEMPERATURE PLASTIC (UL 94V-0).  
 HOUSING COLOR:BLACK  
 TERMINAL:COPPER ALLOY
- 2.TERMINAL PLATING:  
 Au PLATED ON CONTACT AREA(SEE ORDER INFORMATION),  
 100u" Sn PLATED ON SOLDER TAIL AREA, BOTH OVER  
 50u" Ni UNDERPLATED OVERALL.
- 3.PACKING:TRAY  
 ORDER INFORMATION: G1212-810000 \*\* -H0

- TERMINAL PLATING  
 01: 3u" Au  
 02: 15u" Au  
 03: 30u" Au



SECTION F-F  
 SCALE: 4 : 1



**RECOMMENDED P.C.BOARD LAYOUT T=1.00±0.05**  
**GENERAL TOLERANCE ±0.05**

GENERAL TOLERANCE X.X = ±0.20 X.XX = ±0.10 X.X' = ±3'	WIESON TECHNOLOGIES CO., LTD WIESON		PART NO.: G1212-810000XX-H0	
	DRAWN BY	DAVID(WST)	DRAWING NO.	G1212-810000XX-H0
	CHECKED BY	JACK	DRAWING SIZE	2 : 1   A4
	APPROVED BY	KEVIN	UNIT	mm
SORTING NO.	WSC	PAGE	1 OF 1	

[ARTICLE:044033 V5]

ISSUED