

RoHS Compliant

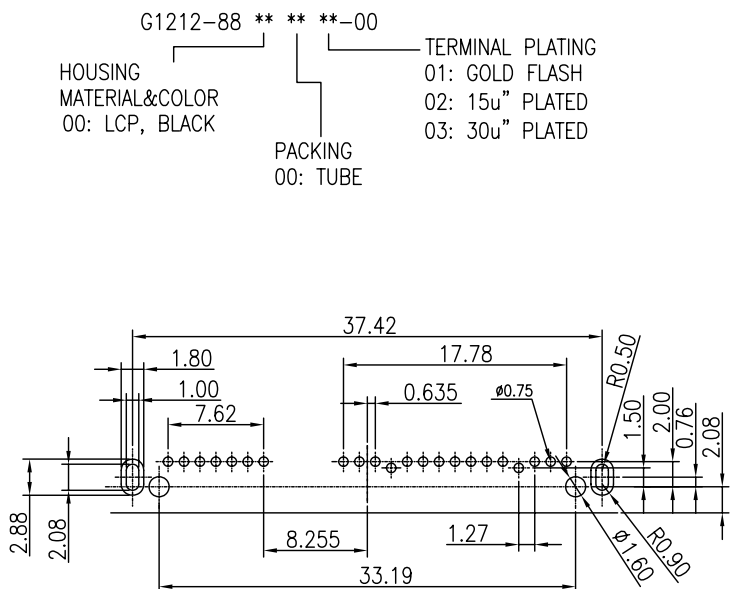
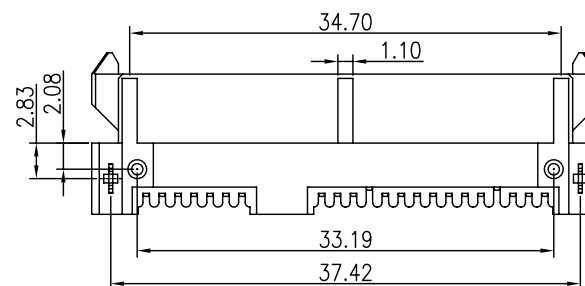
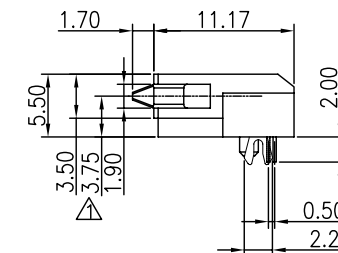
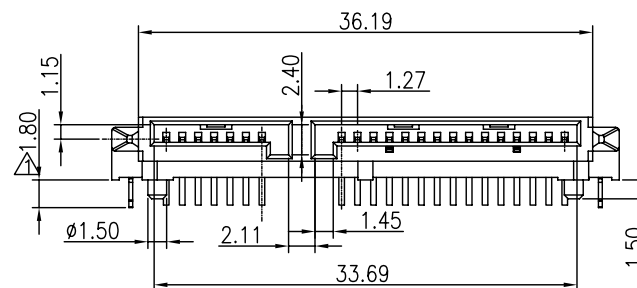
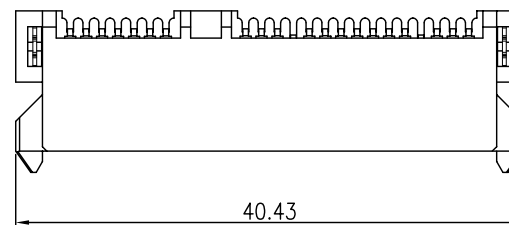
SATA 7+15P FEMALE CONN., DIP TYPE

REV	DATE	DESCRIPTION	ECN NO.	NAME
A	09.09.29	PROPOSAL		WZBin
A1	13.02.11	△ MODIFY		LRP

MATERIAL:

HOUSING: SEE ORDER INFORMATION+30%G.F (UL94V-0)  
 HOUSING COLOR: SEE ORDER INFORMATION  
 TERMINAL: PHOSPHOR BRONZE  
 TERMINAL PLATING: SELECTION Au IN CONTACT AREA, 100u"  
 Sn IN SOLDER TAIL AREA, BOTH OVER  
 50u" Ni UNDER PLATED OVERALL

BOARDLOCK: BRASS  
 BOARDLOCK PLATING: 100u" Sn OVER 50u"  
 Ni UNDER PLATED OVERALL



RECOMMENDED P.C.BOARD HOLE LAYOUT

NOTE: P.C.B LAYOUT TOLERANCE: ±0.05mm

- G1212-88 \*\* \*\* \*-00
- HOUSING MATERIAL&COLOR 00: LCP, BLACK
- PACKING 00: TUBE
- TERMINAL PLATING 01: GOLD FLASH
- 02: 15u" PLATED
- 03: 30u" PLATED

GENERAL TOLERANCE ± 0.25mm	WIESON TECHNOLOGIES CO., LTD		PART NO.: G1212-88*****-00	
	WIESON	DRAWN BY WZBin(WSC)	DRAWING NO.	G1212-88*****-00
GENERAL ANGLE TOLERANCE ± 3°	CHECKED BY JINKENS	APPROVED BY JINKENS	DRAWING SIZE	A4
	⊕ SORTING NO. CA0089(WSC)		UNIT	mm
			PAGE	1 OF 1

PROPOSAL

[ARTICLE:044033 V6]