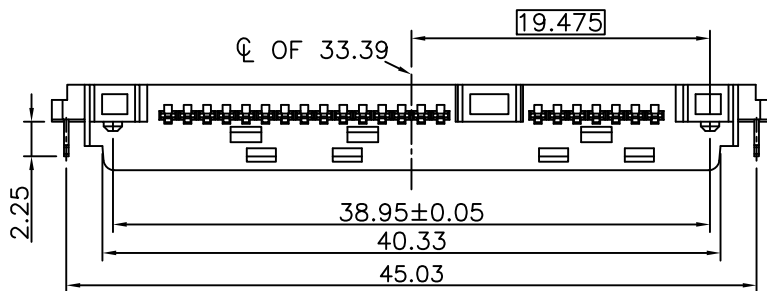
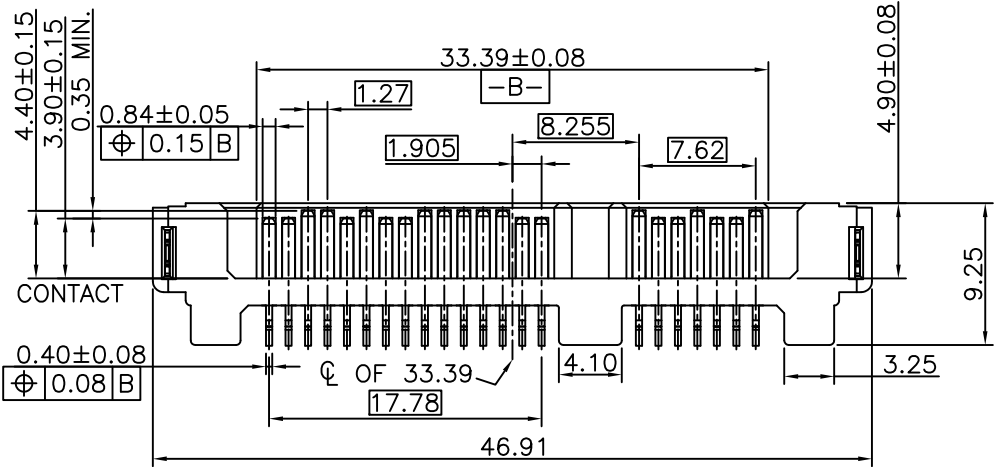
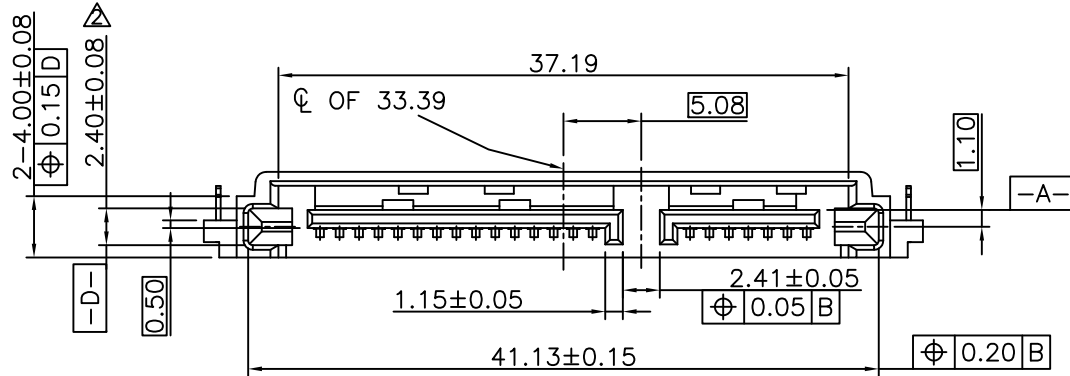


HF Compliant

1212 SERIES SERIAL ATA 7+15P RECEPTACLE MALE SMT TYPE

REV	DATE	DESCRIPTION	ECN NO.	NAME
A	13.04.10	PROPOSAL		Nate.H
A1	13.05.14	△ MODIFY	TECR13002540	Nate.H
A2	13.08.26	△ MODIFY	CECR13007848	ZWU
B	13.09.25	NEW RELEASE		ZWU



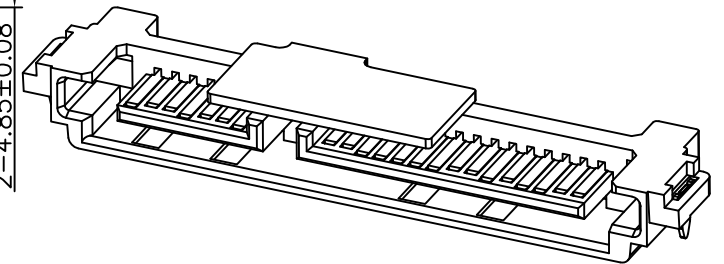
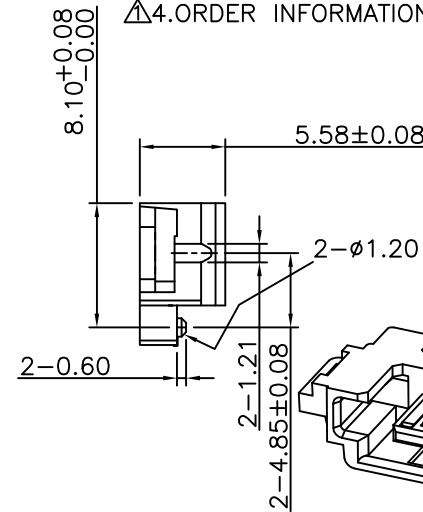
NOTE

- 1.MATERIAL
HOUSING : HIGE THERMOPLASTIC, UL94V-0,BLACK.
TERMINAL : COPPER ALLOY, T=0.25mm.
LOCK : COPPER ALLOY, T=0.30mm.
CAP : HIGE THERMOPLASTIC, UL94V-0,BLACK.
- 2.PLATING
TERMINAL : 30u" Au PLATED ON CONTACT AREA, Sn PLATED ON SOLDER TAIL AREA, BOTH OVER Ni UNDERPLATED OVERALL.
LOCK : Sn PLATED ON SOLDER TAIL AREA, BOTH OVER Ni UNDERPLATED OVERALL.
- 3.PACKING : TAPE&REEL

△4.ORDER INFORMATION : G1212-950000 XX -H0

Au PLATING

- 00 : G/F
- 01 : 3u" Au
- 02 : 15u" Au
- 03 : 30u" Au



GENERAL TOLERANCE		WIESON TECHNOLOGIES CO., LTD		PART NO.:	
X.X	=±0.20	DRAWN BY	Nate.H	G1212-950000XX-H0	
X.XX	=±0.15	CHECKED BY	SKY	DRAWING NO.	G1212-950000XX-H0
X.X*	=±3'	APPROVED BY	JIM	DRAWING SIZE	2 : 1 A4
		SORTING NO.	WSC	UNIT	mm
				PAGE	1 OF 2

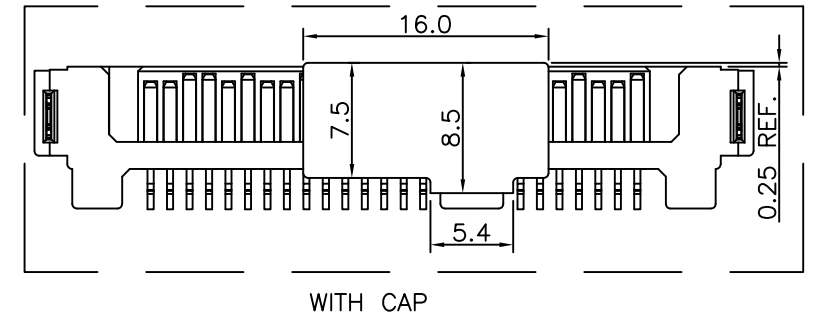
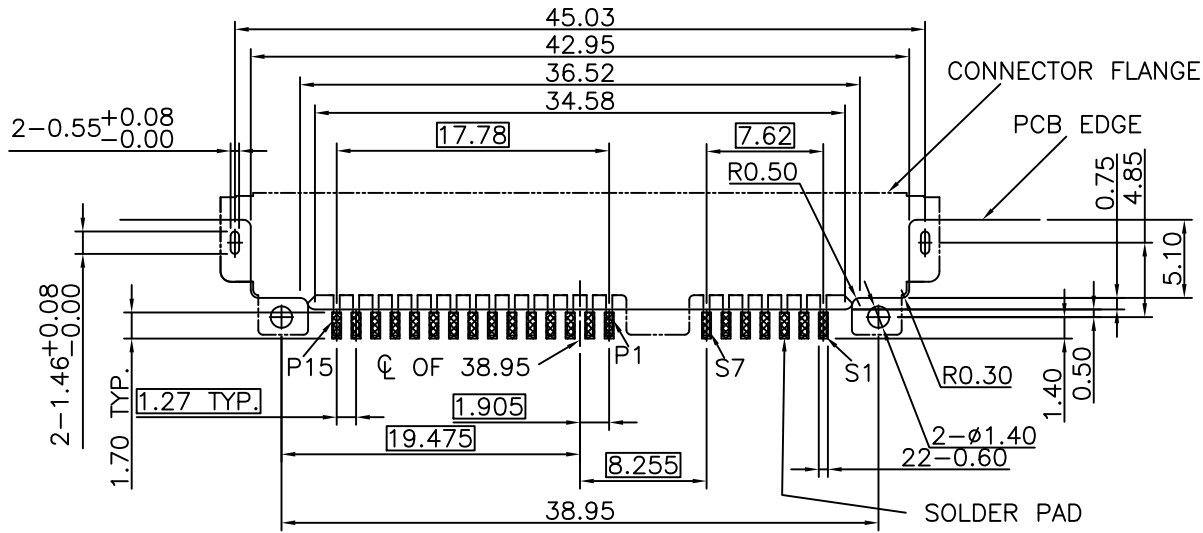
ISSUED

[ARTICLE:044033 V6]

HF Compliant

1212 SERIES SERIAL ATA 7+15P RECEPTACLE MALE SMT TYPE

REV	DATE	DESCRIPTION	ECN NO.	NAME
A	13.04.10	PROPOSAL		Nate.H
A1	13.05.14	△ MODIFY	TECR13002540	Nate.H
A2	13.08.26	△ MODIFY	CECR13007848	ZWU
B	13.09.25	NEW RELEASE		ZWU



RECOMMEND PCB LAYOUT (TOP VIEW)
TOLERANCE: ±0.05mm

GENERAL TOLERANCE X.X = ±0.20 X.XX = ±0.15 X.X* = ±3* 	WIESON TECHNOLOGIES CO., LTD		PART NO.: G1212-950000XX-H0	
	DRAWN BY Nate.H	DRAWING NO. G1212-950000XX-H0		DRAWING SIZE 2 : 1 A4
	CHECKED BY SKY	APPROVED BY JIM		UNIT mm
	SORTING NO. WSC	PAGE 2 OF 2		

[ISSUED]

[ARTICLE:044033 V6]