

RoHS Compliant

HF Compliant

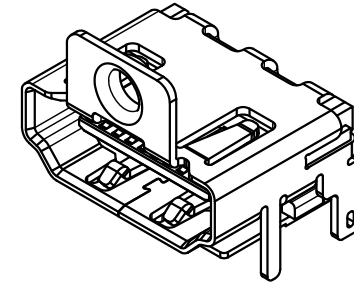
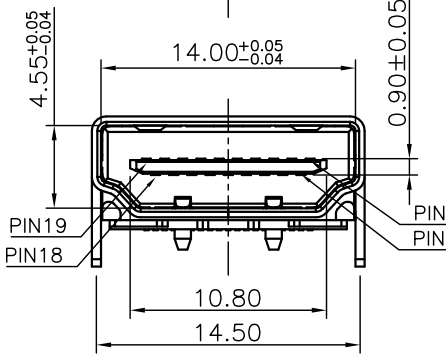
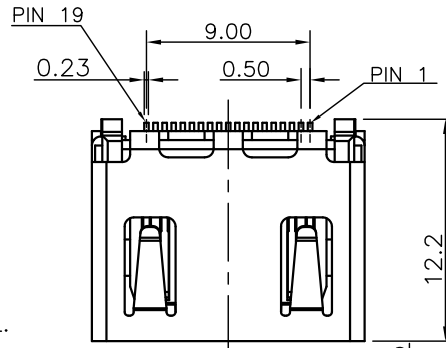
REV	DATE	DESCRIPTION	ECN NO.	NAME
A	19.04.02	PROPOSAL		HJUN
A1	19.05.10	△Add screw holes		HJUN
A2	19.10.28	△Add TYPE		LWEI

3168 SERIES HDMI FEMALE RIGHT/ANGLE SMT TYPE

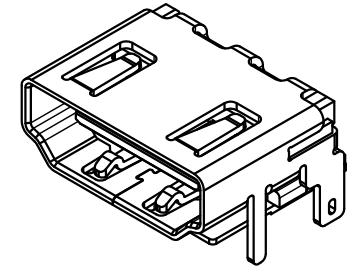
NOTE: 1.MATERIAL:
 HOUSING : LCP, (UL 94V-0) COLOR: BLACK
 TERMINAL : COPPER ALLOY
 SHELL : COPPER ALLOY
 TOP SHELL : COPPER ALLOY
 2.PLATING :
 TERMINAL : Au ON CONTACT AREA(SEE ORDER INFORMATION),
 Sn PLATED ON SOLDER TAIL AREA,
 BOTH OVER Ni UNDERPLATED OVERALL.
 SHELL : SOLDERABLE Ni OVERALL
 3.PACKING : T&R
 4.ORDER INFORMATION : G3168-7600X X XX-H0

- △① 0 : W/ POST
 1 : W/O POST
- ② 0 : W/O SCREW
 1 : W/ SCREW

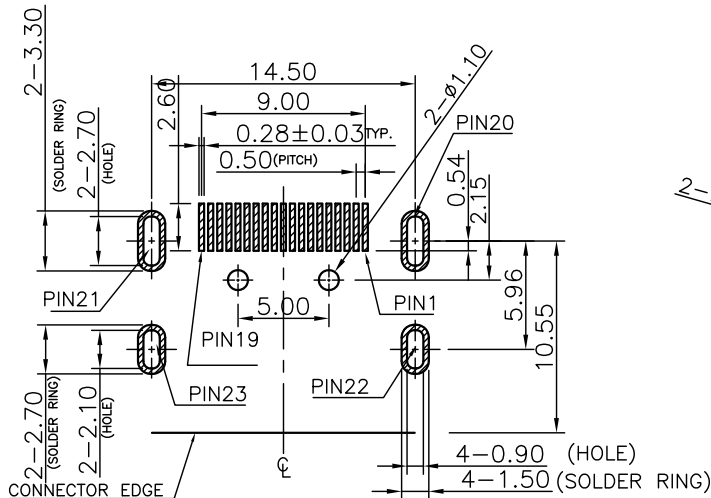
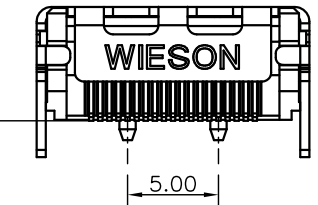
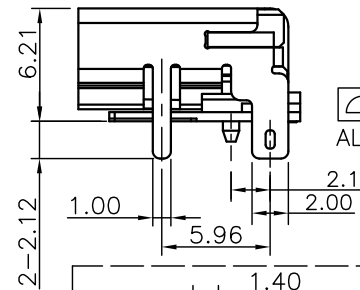
- ③ 01 : 1u"Au
 02 : 3u"Au
 03 : 5u"Au
 04 : 15u"Au
 05 : 30u"Au



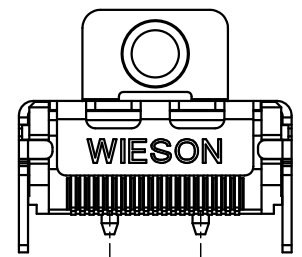
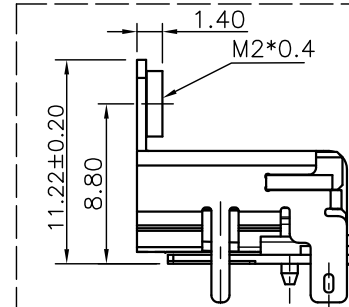
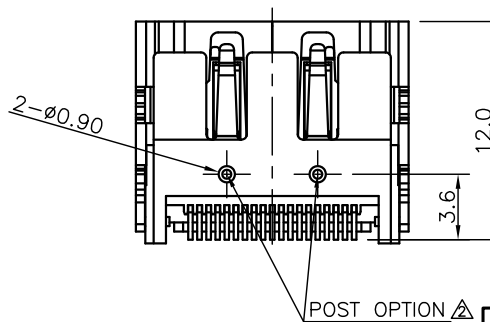
W/ SCREW



W/O SCREW



RECOMMENDED PCB LAYOUT (TOP VIEW)
 TOLERANCE: ±0.05mm



GENERAL TOLERANCE		WIESON TECHNOLOGIES CO., LTD		PART NO.:	
X.X	=±0.20	WIESON		G3168-7600XXXX-H0	
X.XX	=±0.15	DRAWN BY	HJUN	DRAWING NO.	G3168-7600XXXX-H0
X.X*	=±3*	CHECKED BY		DRAWING SIZE	2 : 1 A4
		APPROVED BY		UNIT	mm
		SORTING NO.	WSC	PAGE	1 OF 1